

People counters

OVERHEAD COUNTER

MTC's Overhead people counter is a cutting-edge dual-lens camera utilizing advanced binocular stereo vision technology.

It offers 3D head detection and 3D tracking, providing precise real-time trajectory information for all moving objects within its monitoring range. With this trajectory data analysis capability, it can achieve high-precision people counting.

This camera is an ideal solution for places where people counting is essential, such as supermarkets or any retail store, tourist locations, train and bus stations, galleries, and many more.

This connected device is able to send email counting reports on daily, weekly, monthly or annually basis

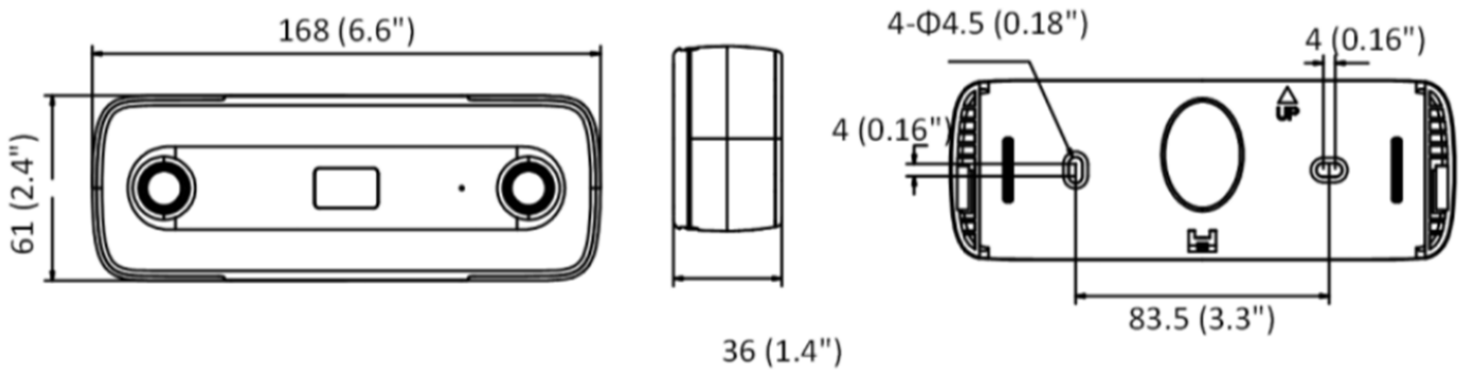
- Application: counting people on location, in certain rooms inside
- Widely used in retail, museums, public buildings, government etc.
- Quality 2MP (1920 x 1080 resolution) @30fps
- Dual Lens 2mm (fixed)
- VCA people counting: including counting of entering separately from leaving, various (real-time) reports and statistics by day, week or month
- Works with iVMS-4200
- Network 10/100M Ethernet
- Audio support (-S model)
- Power supply: 12VDC and POE (802.3af)
- Dimension -S model: 168mm x 61mm x 36mm
- Weight: 435Gr.



OVERHEAD COUNTER **System design**



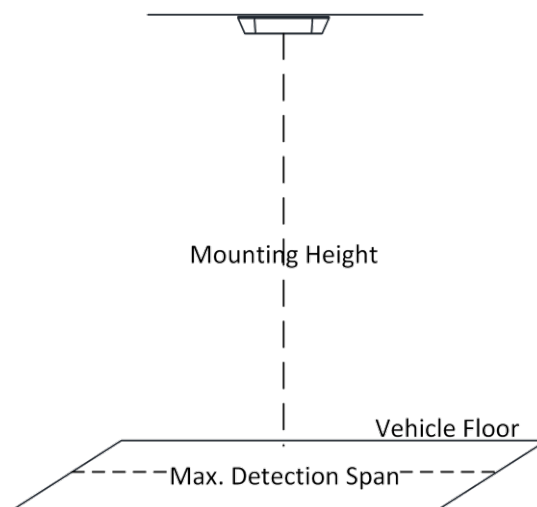
OVERHEAD COUNTER System dimensions



Installation Recommendation

Following table shows the relations among focal length, mounting height, and max. detection span of typical values. For detailed installation advice, please contact the technical support of HIKVISION.

Focal Length (mm)	Mounting Height (m)	Max. Detection Span (m)
2	2.1	1.02
2	2.6	2.30
2	3.1	3.58
2	3.6	4.86
2	4.1	6.14
2	4.6	5.50
2	5.1	6.45
2	5.6	7.40
2	6	8.16



OVERHEAD COUNTER Specifications

Camera	
Image Sensor	1/1.2.7" Progressive Scan CMOS
Min. Illumination	Color: 0.005 Lux @ (F1.2, AGC ON), 0.0176 Lux @ (F2.25, AGC ON) B/W: 0.001 Lux @ (F1.2, AGC ON), 0.0035 Lux @ (F2.2.5, AGC ON)
Shutter Speed	1/25 s to 1/100,000 s
Day & Night	IR Cut Filter
WDR	Digital WDR
Lens	
Focal Length	2 mm fixed lens
Aperture	F2.25
FOV	Horizontal FOV 104.5°, vertical FOV 70.5°, diagonal FOV 112°
Lens Mount	M12
IR	
IR Range	Up to 6 m IR range
Wavelength	850 nm
Video	
Max. Resolution	1920 × 1080
Main Stream	50Hz: 25fps (1920 × 1080, 1280 × 720); 60Hz: 30fps (1920 × 1080, 1280 × 720)
Sub Stream	50Hz: 25fps (704 × 576, 640 × 480) 60Hz: 30fps (704 × 480, 640 × 480)
Video Compression	Main stream: H.265+/H.265/H.264+/H.264 Sub stream: H.265/H.264/MJPEG
H.264 Type	BaseLine Profile/Main Profile/High Profile
H.264+	Main stream supports
H.265 Type	Main Profile
H.265+	Main stream supports
Video Bit Rate	32 Kbps to 16 Mbps
SVC	H.265 and H.264 support
Audio	
Audio Compression	G.711/G.722.1/G.726/MP2L2/PCM
Audio Bit Rate	64Kbps(G.711)/16Kbps(G.722.1)/16Kbps(G.726)/32-160Kbps(MP2L2)
Environment Noise Filtering	Yes
Audio Sampling Rate	8kHz/16kHz/32kHz/44.1kHz/48kHz
Smart Feature-Set	
Basic Event	Motion detection, video tampering alarm, exception (network disconnected, IP address conflict, illegal login, HDD full, HDD error)
People Counting	Counts people entering and exiting separately Supports real-time uploading and uploading by statistic cycle Sends email reports on daily, weekly, monthly or annually basis

OVERHEAD COUNTER Specifications

	Supports target filtering by height
Linkage Method	Upload to FTP/NAS, notify surveillance center, send email, trigger alarm output, trigger recording, trigger capture
Region of Interest	4 fixed regions for main stream and sub-stream
Image	
Image Enhancement	HLC, BLC, 3D DNR, defog
Image Setting	Saturation, brightness, contrast, sharpness are adjustable by client software or web browser
Day/Night Switch	Day/Night/Auto/Schedule/Triggered by alarm input (-S)
Picture Overlay	LOGO picture can be overlaid on video with 128 × 128 24bit bmp format
Network	
Protocols	TCP/IP, ICMP, HTTP, HTTPS, FTP, DHCP, DNS, DDNS, RTP, RTSP, RTCP, PPPoE, NTP, UPnP, SMTP, SNMP, IGMP, 802.1X, QoS, IPv6, UDP, Bonjour, SSL/TLS
API	ONVIF (PROFILE S, PROFILE G), ISAPI, SDK, Ehome (5.0)
Security	Password protection, complicated password, HTTPS encryption, 802.1X authentication (EAP-MD5), watermark, IP address filter, basic and digest authentication for HTTP/HTTPS, WSSE and digest authentication for ONVIF, RTP/RTSP over HTTPS, control timeout settings, security audit log
Simultaneous Live View	Up to 20 channels
User/Host	Up to 32 users. 3 user levels: administrator, operator and user
Client	iVMS-4200, Hik-Connect
Web Browser	IE8+, Chrome 41.0-44, Mozilla Firefox30.0-51, Safari8.0-11
Interface	
Communication Interface	1 RJ45 10M/100M Ethernet port, -S: 1 RS-485 interface
Audio	1 built-in mic -S: 1 input (line in, two-core terminal block), 1 output (two-core terminal block), mono sound
Alarm (-S)	1 input, 1 output (max. 24 VDC, 1 A)
General	
Firmware Version	5.5.90
Web Client Language	32 languages. English, Russian, Estonian, Bulgarian, Hungarian, Greek, German, Italian, Czech, Slovak, French, Polish, Dutch, Portuguese, Spanish, Romanian, Danish, Swedish, Norwegian, Finnish, Croatian, Slovenian, Serbian, Turkish, Korean, Traditional Chinese, Thai, Vietnamese, Japanese, Latvian, Lithuanian, Portuguese (Brazil)
General Function	Anti-flicker, heartbeat, mirror, password protection, watermark, IP address filter
Startup and Operating Conditions	-30 °C to +45 °C (-22 °F to +113 °F), Humidity 95% or less (non-condensing)
Storage Conditions	-30 °C to +60 °C (-22 °F to +140 °F), Humidity 95% or less (non-condensing)
Power Supply	12 VDC±20%, reverse polarity protection, Φ5.5mm coaxial power plug 12 VDC, PoE (36 to 57 VDC, 802.3af), Calss3
Power Consumption	12 VDC, 0.66 A, max. 8 W, PoE (802.3 af, 36 to 57 VDC), 0.23 A to 0.14 A, max. 8.3 W

OVERHEAD COUNTER Specifications

Material	Front cover: plastic, camera body: metal
Dimensions	With -V: 168 mm × 61 mm × 41 mm (6.6" × 2.4" × 1.6") Without -V: 168 mm × 61 mm × 36 mm (6.6" × 2.4" × 1.4") With Package: 235 mm × 120 mm × 125 mm (9.2" × 4.7" × 4.9")
Weight	Camera: Approx. 435 g (1 lb.) With package: 725 g (1.6 lb)
Approval	
EMC	47 CFR Part 15, Subpart B; EN 55032: 2015, EN 61000-3-2: 2014, EN 61000-3-3: 2013, EN 50130-4: 2011 +A1: 2014; AS/NZS CISPR 32: 2015; ICES-003: Issue 6, 2016; KN 32: 2015, KN 35: 2015
Safety	UL 60950-1, IEC 60950-1:2005 + Am 1:2009 + Am 2:2013, EN 60950-1:2005 + Am 1:2009 + Am 2:2013, IS 13252(Part 1):2010+A1:2013+A2:2015
Environment	2011/65/EU, 2012/19/EU, Regulation (EC) No 1907/2006
Protection	With -V model: IP67 (IEC 60529-2013)



Since 2004, MTC has been the trusted loss prevention solution supplier for both local and global distributors. Meanwhile, we are proud to have our products trusted, successfully sold and installed in more than 75 countries.

Zwoller strasse 2
49716 Meppen
Germany

+49 (0) 593 593 210
info@easpartners.com
easpartners.com

